



IEC 61076-8-111

Edition 1.0 2025-02

# INTERNATIONAL STANDARD

---

**Connectors for electrical and electronic equipment – Product requirements –  
Part 8-111: Power connectors – Detail specification for 3-pole snap locking  
rectangular connectors with IP65/IP67 plastic housing for rated current of 20 A**

INTERNATIONAL  
ELECTROTECHNICAL  
COMMISSION

---

ICS 31.220.10

ISBN 978-2-8327-0005-1

**Warning! Make sure that you obtained this publication from an authorized distributor.**

## CONTENTS

FOREWORD.....	5
1 Scope.....	8
2 Normative references .....	8
3 Terms and definitions .....	10
4 Technical information .....	10
4.1 Recommended method of termination .....	10
4.1.1 General .....	10
4.1.2 Number of contacts and contact cavities.....	10
4.2 Ratings and characteristics .....	10
4.3 Systems of levels.....	10
4.3.1 Performance levels .....	10
4.3.2 Compatibility levels.....	10
4.4 Classification into climatic categories.....	11
4.5 Clearance and creepage distance .....	11
4.6 Current-carrying capacity .....	11
4.7 Marking.....	11
4.8 Safety aspects .....	11
5 Dimensional information .....	11
5.1 General.....	11
5.2 Isometric view and common features .....	12
5.2.1 Isometric view of free connector (Figure 1).....	12
5.2.2 Isometric view of fixed connector (Figure 2).....	12
5.3 Engagement (mating) information .....	12
5.4 Fixed connectors .....	13
5.4.1 Dimensions (Figure 3 and Table 2).....	13
5.4.2 Terminations.....	14
5.5 Free connectors.....	14
5.5.1 Dimensions (Figure 4 and Table 3).....	14
5.5.2 Terminations.....	15
5.6 Accessories .....	15
5.7 Mounting information .....	15
5.8 Gauges.....	15
5.8.1 Sizing gauges and retention force gauges (Figure 5 and Table 4).....	15
6 Technical characteristics .....	15
6.1 Classification into climatic categories.....	15
6.2 Electrical characteristics .....	15
6.2.1 Clearance and creepage distance.....	15
6.2.2 Voltage proof.....	16
6.2.3 Contact resistance.....	16
6.2.4 Insulation resistance.....	16
6.2.5 Temperature rise .....	17
6.2.6 Electrical load and temperature .....	17
6.3 Mechanical characteristics .....	17
6.3.1 Mechanical strength impact .....	17
6.3.2 Mechanical operation.....	17
6.3.3 Breaking capacity (engaging and separating with electrical load).....	17

6.3.4	Effectiveness of connector coupling devices .....	18
6.3.5	Engaging and separating force .....	18
6.3.6	Contact retention in insert.....	18
6.3.7	Gauge retention force (resilient contact) .....	18
6.3.8	Conductor secureness .....	19
6.4	Dynamic stress test.....	19
6.4.1	Vibration (sine) .....	19
6.4.2	Shock .....	19
6.4.3	IP degree of protection .....	19
6.5	Climatic test.....	20
6.5.1	Damp heat, steady state .....	20
6.5.2	Rapid change of temperature.....	20
6.5.3	Corrosion, salt mist.....	20
6.5.4	Dry heat .....	20
6.5.5	Cold.....	20
6.6	Environmental aspects .....	20
6.6.1	Marking of insulation material (plastic).....	20
6.6.2	Design/use of material .....	21
7	Tests and test schedules .....	21
7.1	General.....	21
7.2	Test schedules.....	21
7.2.1	Basic (minimum) test schedule .....	21
7.2.2	Full test schedule .....	21
7.3	Test procedures and measurement methods.....	30
7.4	Pre-conditioning.....	31
7.5	Wiring and mounting of test specimens .....	31
7.5.1	Wiring.....	31
7.5.2	Mounting .....	31
	Figure 1 – Free female connector .....	12
	Figure 2 – Fixed male connector.....	12
	Figure 3 – Fixed male connector.....	13
	Figure 4 – Free female connector .....	14
	Figure 5 – Gauge for contacts.....	15
	Table 1 – Climatic category.....	11
	Table 2 – Fixed connector dimensions .....	13
	Table 3 – Free connector dimensions .....	14
	Table 4 – Gauge dimensions.....	15
	Table 5 – Conductor secureness test.....	19
	Table 6 – Vibration .....	19
	Table 7 – Number of test specimens .....	21
	Table 8 – Test group P .....	22
	Table 9 – Test group AP .....	22
	Table 10 – Test group BP .....	24
	Table 11 – Test group CP .....	26

Table 12 – Test group DP .....	27
Table 13 – Test group EP .....	28
Table 14 – Test group GP .....	29
Table 15 – Test group JP .....	29
Table 16 – Test group KP .....	30

## INTERNATIONAL ELECTROTECHNICAL COMMISSION

**CONNECTORS FOR ELECTRICAL AND ELECTRONIC EQUIPMENT –  
PRODUCT REQUIREMENTS –****Part 8-111: Power connectors –  
Detail specification for 3-pole snap locking rectangular  
connectors with IP65/IP67 plastic housing for rated current of 20 A**

## FOREWORD

- 1) The International Electrotechnical Commission (IEC) is a worldwide organization for standardization comprising all national electrotechnical committees (IEC National Committees). The object of IEC is to promote international co-operation on all questions concerning standardization in the electrical and electronic fields. To this end and in addition to other activities, IEC publishes International Standards, Technical Specifications, Technical Reports, Publicly Available Specifications (PAS) and Guides (hereafter referred to as "IEC Publication(s)"). Their preparation is entrusted to technical committees; any IEC National Committee interested in the subject dealt with may participate in this preparatory work. International, governmental and non-governmental organizations liaising with the IEC also participate in this preparation. IEC collaborates closely with the International Organization for Standardization (ISO) in accordance with conditions determined by agreement between the two organizations.
- 2) The formal decisions or agreements of IEC on technical matters express, as nearly as possible, an international consensus of opinion on the relevant subjects since each technical committee has representation from all interested IEC National Committees.
- 3) IEC Publications have the form of recommendations for international use and are accepted by IEC National Committees in that sense. While all reasonable efforts are made to ensure that the technical content of IEC Publications is accurate, IEC cannot be held responsible for the way in which they are used or for any misinterpretation by any end user.
- 4) In order to promote international uniformity, IEC National Committees undertake to apply IEC Publications transparently to the maximum extent possible in their national and regional publications. Any divergence between any IEC Publication and the corresponding national or regional publication shall be clearly indicated in the latter.
- 5) IEC itself does not provide any attestation of conformity. Independent certification bodies provide conformity assessment services and, in some areas, access to IEC marks of conformity. IEC is not responsible for any services carried out by independent certification bodies.
- 6) All users should ensure that they have the latest edition of this publication.
- 7) No liability shall attach to IEC or its directors, employees, servants or agents including individual experts and members of its technical committees and IEC National Committees for any personal injury, property damage or other damage of any nature whatsoever, whether direct or indirect, or for costs (including legal fees) and expenses arising out of the publication, use of, or reliance upon, this IEC Publication or any other IEC Publications.
- 8) Attention is drawn to the Normative references cited in this publication. Use of the referenced publications is indispensable for the correct application of this publication.
- 9) IEC draws attention to the possibility that the implementation of this document may involve the use of (a) patent(s). IEC takes no position concerning the evidence, validity or applicability of any claimed patent rights in respect thereof. As of the date of publication of this document, IEC had not received notice of (a) patent(s), which may be required to implement this document. However, implementers are cautioned that this may not represent the latest information, which may be obtained from the patent database available at <https://patents.iec.ch>. IEC shall not be held responsible for identifying any or all such patent rights.

IEC 61076-8-111 has been prepared by subcommittee 48B: Electrical connectors, of IEC technical committee 48: Electrical connectors and mechanical structures for electrical and electronic equipment. It is an International Standard.

The text of this International Standard is based on the following documents:

Draft	Report on voting
48B/3114/FDIS	48B/3132/RVD

Full information on the voting for its approval can be found in the report on voting indicated in the above table.

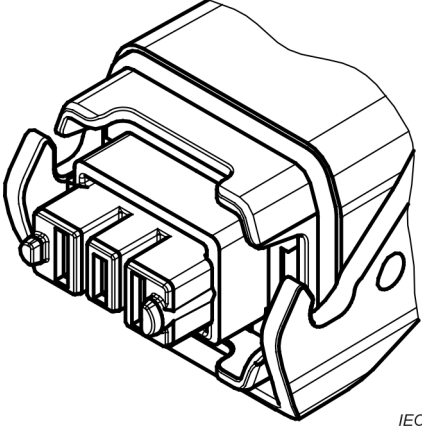
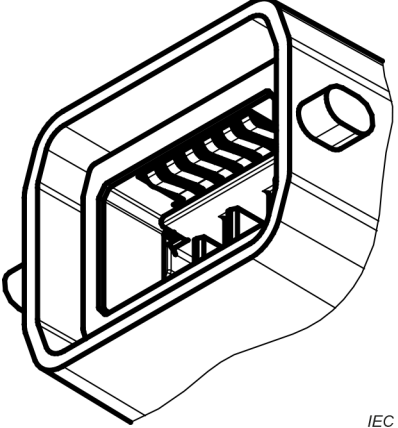
The language used for the development of this International Standard is English.

This document was drafted in accordance with ISO/IEC Directives, Part 2, and developed in accordance with ISO/IEC Directives, Part 1 and ISO/IEC Directives, IEC Supplement, available at [www.iec.ch/members\\_experts/refdocs](http://www.iec.ch/members_experts/refdocs). The main document types developed by IEC are described in greater detail at [www.iec.ch/publications](http://www.iec.ch/publications).

A list of all parts in the IEC 61076 series, published under the general title *Connectors for electrical and electronic equipment*, can be found on the IEC website.

The committee has decided that the contents of this document will remain unchanged until the stability date indicated on the IEC website under [webstore.iec.ch](http://webstore.iec.ch) in the data related to the specific document. At this date, the document will be

- reconfirmed,
- withdrawn, or
- revised.

The International Electrotechnical Commission IEC SC 48B—Electrical connectors		IEC 61076-8-111 Ed. 1
Detail specification in accordance with IEC 61076-1		
Free connector	 <p>3-pole 20 A free connector</p> <p><i>IEC</i></p>	Free rectangular connector; For rated current of 20 A; 3-pole; Female contacts for power; Straight insertion and withdrawal.
Fixed connector	 <p>3-pole 20 A fixed connector</p> <p><i>IEC</i></p>	Fixed rectangular connector; For rated current of 20 A; 3-pole; Male contacts for power; Straight insertion and withdrawal.

# CONNECTORS FOR ELECTRICAL AND ELECTRONIC EQUIPMENT – PRODUCT REQUIREMENTS –

## Part 8-111: Power connectors – Detail specification for 3-pole snap locking rectangular connectors with IP65/IP67 plastic housing for rated current of 20 A

### 1 Scope

This part of the IEC 61076 series describes 3-pole snap locking rectangular power connectors with IP65/IP67 plastic housing, for rated current of 20 A. It includes overall dimensions, interface dimensions, technical characteristics, performance requirements, and test methods.

The products covered by this detail specification are connectors with breaking capacity (CBC) according to IEC 61984 which are mainly used in AC power conduction, in the field of electrical and electronic equipment.

### 2 Normative references

The following documents are referred to in the text in such a way that some or all of their content constitutes requirements of this document. For dated references, only the edition cited applies. For undated references, the latest edition of the referenced document (including any amendments) applies.

IEC 60050-581, *International Electrotechnical Vocabulary (IEV) – Part 581: Electromechanical components for electronic equipment*

IEC 60068-1, *Environmental testing – Part 1: General and guidance*

IEC 60228, *Conductors of insulated cables*

IEC 60352, *Solderless connections (all parts)*

IEC 60512-2-1, *Connectors for electronic equipment – Tests and measurements – Part 2-1: Electrical continuity and contact resistance tests – Test 2a: Contact resistance – Millivolt level method*

IEC 60512-3-1, *Connectors for electronic equipment – Tests and measurements – Part 3-1: Insulation tests – Test 3a: Insulation resistance*

IEC 60512-4-1, *Connectors for electronic equipment – Tests and measurements – Part 4-1: Voltage stress tests – Test 4a: Voltage proof*

IEC 60512-5-1, *Connectors for electronic equipment – Tests and measurements – Part 5-1: Current-carrying capacity tests – Test 5a: Temperature rise*

IEC 60512-5-2, *Connectors for electronic equipment – Tests and measurements – Part 5-2: Current-carrying capacity tests – Test 5b: Current-temperature derating*

IEC 60512-6-3, *Connectors for electronic equipment – Tests and measurements – Part 6-3: Dynamic stress tests – Test 6c: Shock*



IEC 60512-6-4, *Connectors for electronic equipment – Tests and measurements – Part 6-4: Dynamic stress tests – Test 6d: Vibration (sinusoidal)*

IEC 60512-7-2, *Connectors for electronic equipment – Tests and measurements – Part 7-2: Impact tests (free components) – Test 7b: Mechanical strength impact*

IEC 60512-9-1, *Connectors for electronic equipment – Tests and measurements – Part 9-1: Endurance tests – Test 9a: Mechanical operation*

IEC 60512-9-2, *Connectors for electronic equipment – Tests and measurements – Part 9-2: Endurance tests – Test 9b: Electrical load and temperature*

IEC 60512-11-3, *Connectors for electronic equipment – Tests and measurements – Part 11-3: Climatic tests – Test 11c: Damp heat, steady state*

IEC 60512-11-4, *Connectors for electronic equipment – Tests and measurements – Part 11-4: Climatic tests – Test 11d: Rapid change of temperature*

IEC 60512-11-6, *Connectors for electronic equipment – Tests and measurements – Part 11-6: Climatic tests – Test 11f: Corrosion, salt mist*

IEC 60512-11-9, *Connectors for electronic equipment – Tests and measurements – Part 11-9: Climatic tests – Test 11i: Dry heat*

IEC 60512-11-10, *Connectors for electronic equipment – Tests and measurements – Part 11-10: Climatic tests – Test 11j: Cold*

IEC 60512-13-1, *Connectors for electronic equipment – Tests and measurements – Part 13-1: Mechanical operation tests – Test 13a: Engaging and separating forces*

IEC 60512-15-1, *Connectors for electronic equipment – Tests and measurements – Part 15-1: Connector tests (mechanical) – Test 15a: Contact retention in insert*

IEC 60512-15-6, *Connectors for electronic equipment – Tests and measurements – Part 15-6: Connector tests (mechanical) – Test 15f: Effectiveness of connector coupling devices*

IEC 60512-16-5, *Connectors for electronic equipment – Tests and measurements – Part 16-5: Mechanical tests on contacts and terminations – Test 16e: Gauge retention force (resilient contacts)*

IEC 60529:1989, *Degrees of protection provided by enclosures (IP Code)*

IEC 60529:1989/AMD1:1999

IEC 60529:1989/AMD2:2013

IEC 60664-1, *Insulation coordination for equipment within low-voltage systems – Part 1: Principles, requirements and tests*

IEC 60999-1:1999, *Connecting devices – Electrical copper conductors – Safety requirements for screw-type and screwless-type clamping units – Part 1: General requirements and particular requirements for clamping units for conductors from 0,2 mm<sup>2</sup> up to 35 mm<sup>2</sup> (included)*

IEC 61076-1:2006, *Connectors for electronic equipment – Product requirements – Part 1: Generic specification*

IEC 61076-1:2006/AMD1:2019

IEC 61984:2008, *Connectors – Safety requirements and tests*

IEC 62430, *Environmentally conscious design (ECD) – Principles, requirements and guidance*

IEC GUIDE 109:2012, *Environmental aspects – Inclusion in electrotechnical product standards*

ISO 6508-1, *Metallic materials – Rockwell hardness test – Part 1: Test method*

ISO 21920-1, *Geometrical product specifications (GPS) – Surface texture: Profile – Part 1: Indication of surface texture*